

# Setting up the unit

DAV700/750 Soretex OC/OL

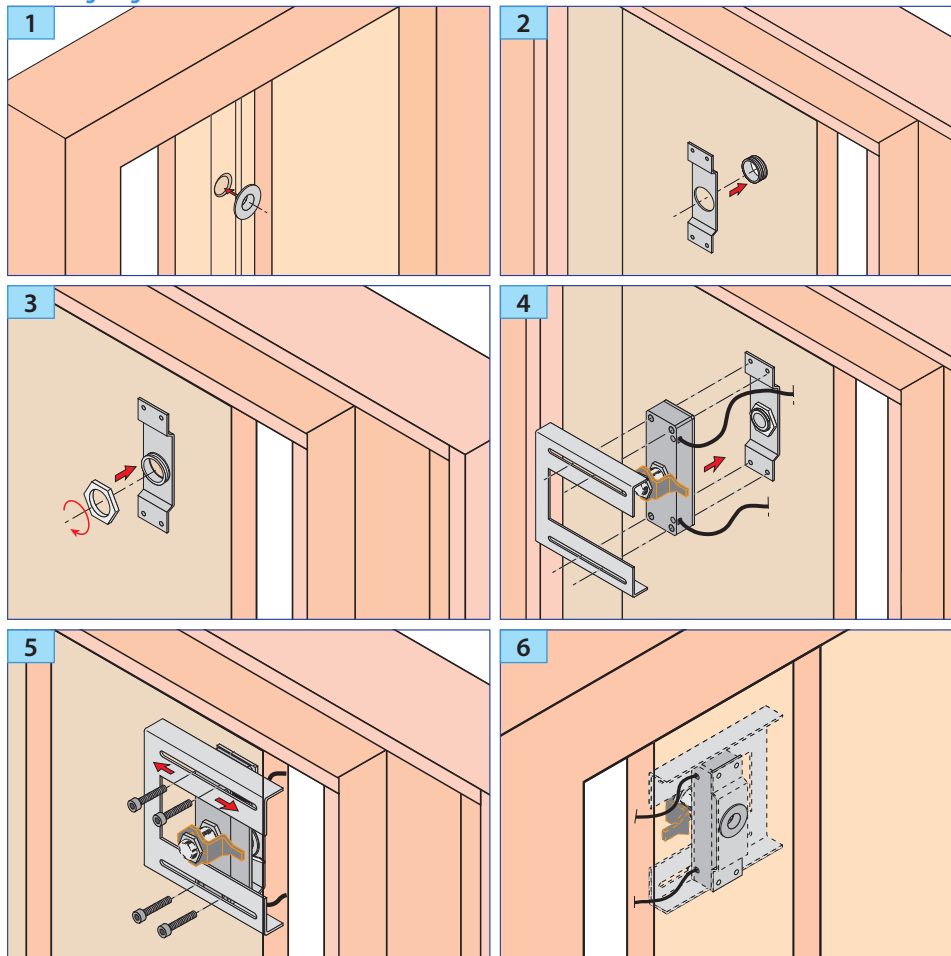
DAV800/850 Soretex OC/OL

DEX Soretex OC/OL

Tri Soretex OC/OL

MDV21 Soretex OC/OL

## Mounting stages



### DAV - DEX

#### WIRING (DAV) :

- ② : 3 wires (inverse contact) :  
black (common) ; gray (NO) ; blue (NC).
- ③ : 2 wires : supply 24 V dc.

### MDV21

#### WIRING (MDV21) :

- ① : monostable security contact
- ② : Microswitch
- ③ : Option EN81-71.

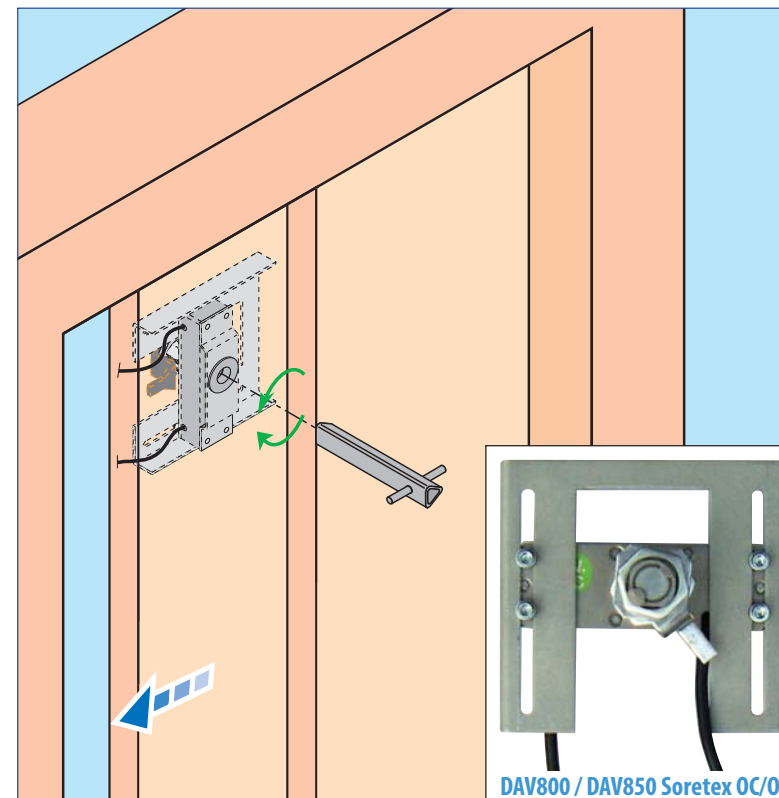


Works with a  
bistable rearming  
Controller ARM/  
MDV21.

**prudhomme S.a**

38, Rue Charles de Gaulle F  
94140 Paris/Alfortville  
www.prudhommesa.com  
Tél. : +33 01 45 18 19 20  
Fax : +33 01 45 18 19 21

- Electromechanical anti vandal unlocking (Soretex type OC/OL).
- Double door-opening detector (Soretex type OC/OL) Conformity with EN81.21, EN81.21 + EN81.71



DAV800 / DAV850 Soretex OC/OL

#### Supplies :

Set DAV Soretex type OC/OL + screws or DEX Soretex type OC/OL + screws or Tri Soretex type OC/OL + screws or MDV21 Soretex type OC/OL + screws.

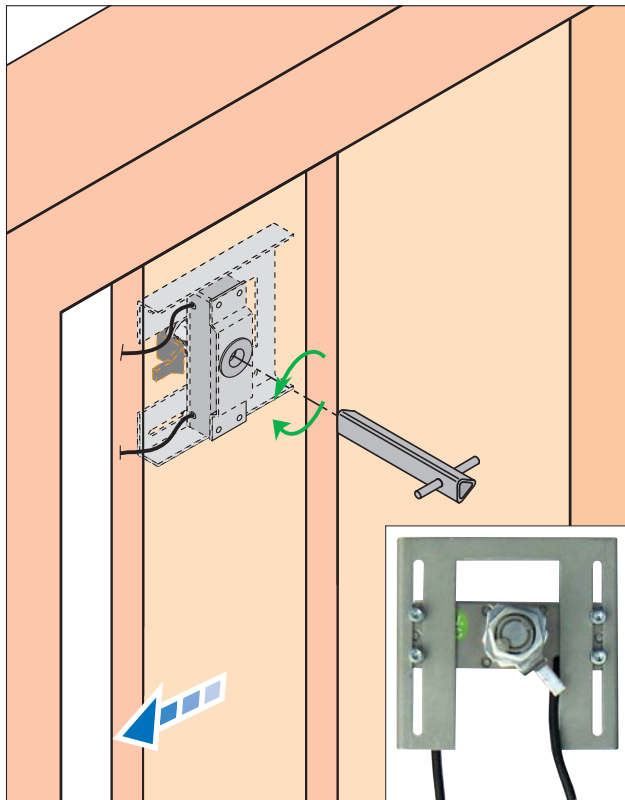
#### Optional :

PLEASE, BEFORE INSTALLATION, READ IT CAREFULLY.

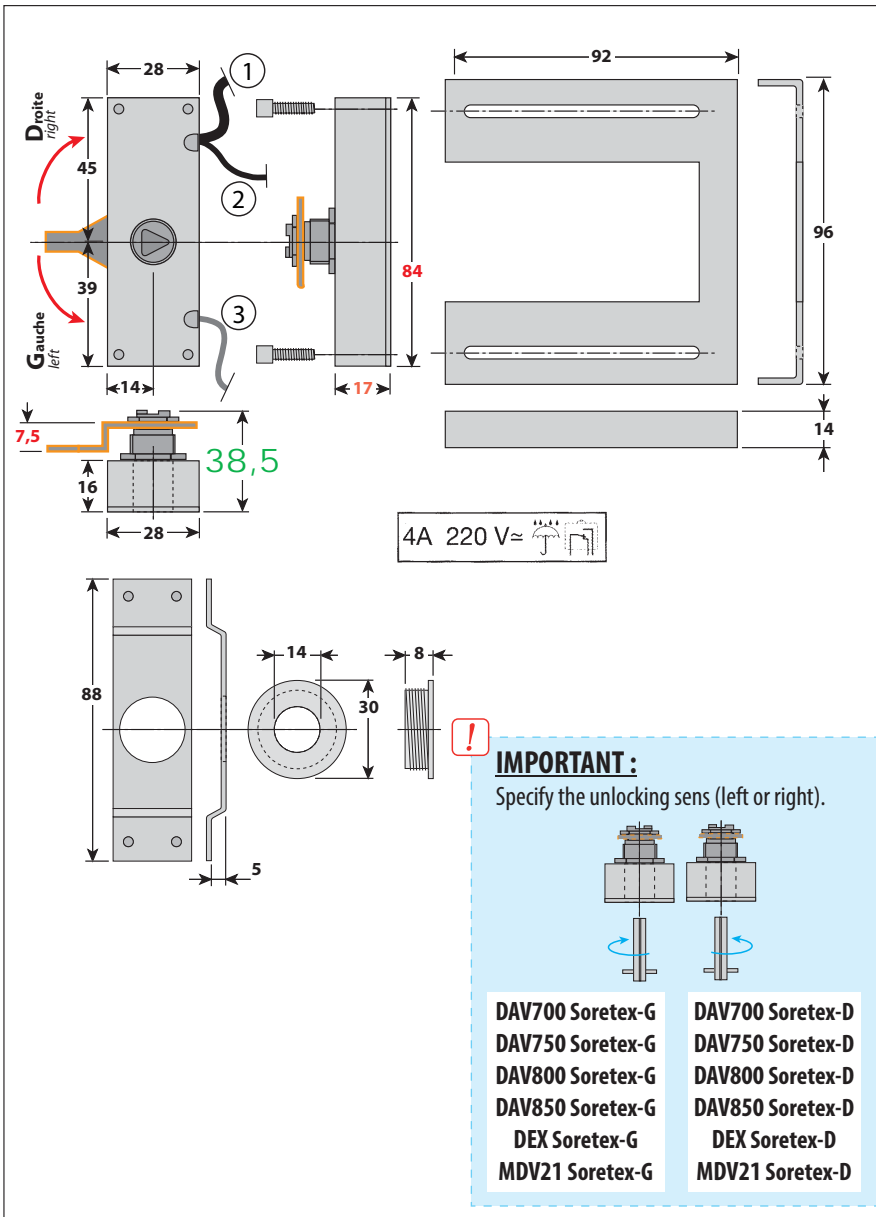
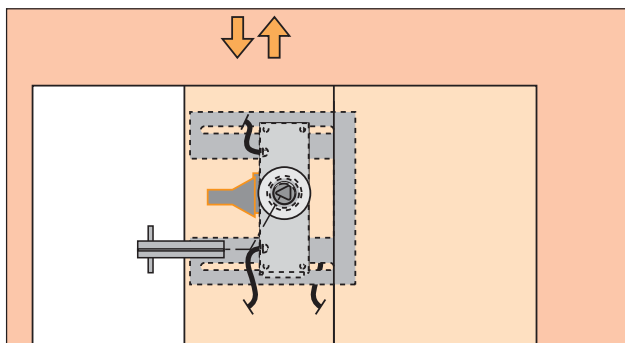
**prudhomme S.a**

Matériel spécifique pour ascenseurs - specific parts and components for elevators

- Double door-opening detector (Soretex type OC/OL) Conformity with EN81.21, EN81.21 + EN81.71



New installation and Renovation



DAV - DEX

- DAV700 Soretex OC/OL (24 V dc - 100 mA) : Locking only, **Switched on** : device blocking.

- DAV750 Soretex OC/OL (24 V dc - 100 mA) : Locking only, **Switched off** : device blocking.

- DAV800 Soretex OC/OL (24 V dc - 100 mA) : Switched on, mechanical sticking accessible to the triangle (impossible to use the unlocking key of the lock).

- DAV850 Soretex OC/OL (24 V dc - 100 mA) : Switched off, mechanical sticking accessible to the triangle (impossible to use the unlocking key of the lock).

- DEX Soretex OC/OL (microswitch) : inverse contact for buzzer.

WIRING (DAV) :

- ② : 3 wires (inverse contact) : **black** (common), **gray** (no **blue** (NC)
- ③ : 2 wires : feeding 24 V dc

MDV21

WIRING (MDV21) :

- ① : monostable security contact
- ② : Microswitch
- ③ : Option EN81-71.

